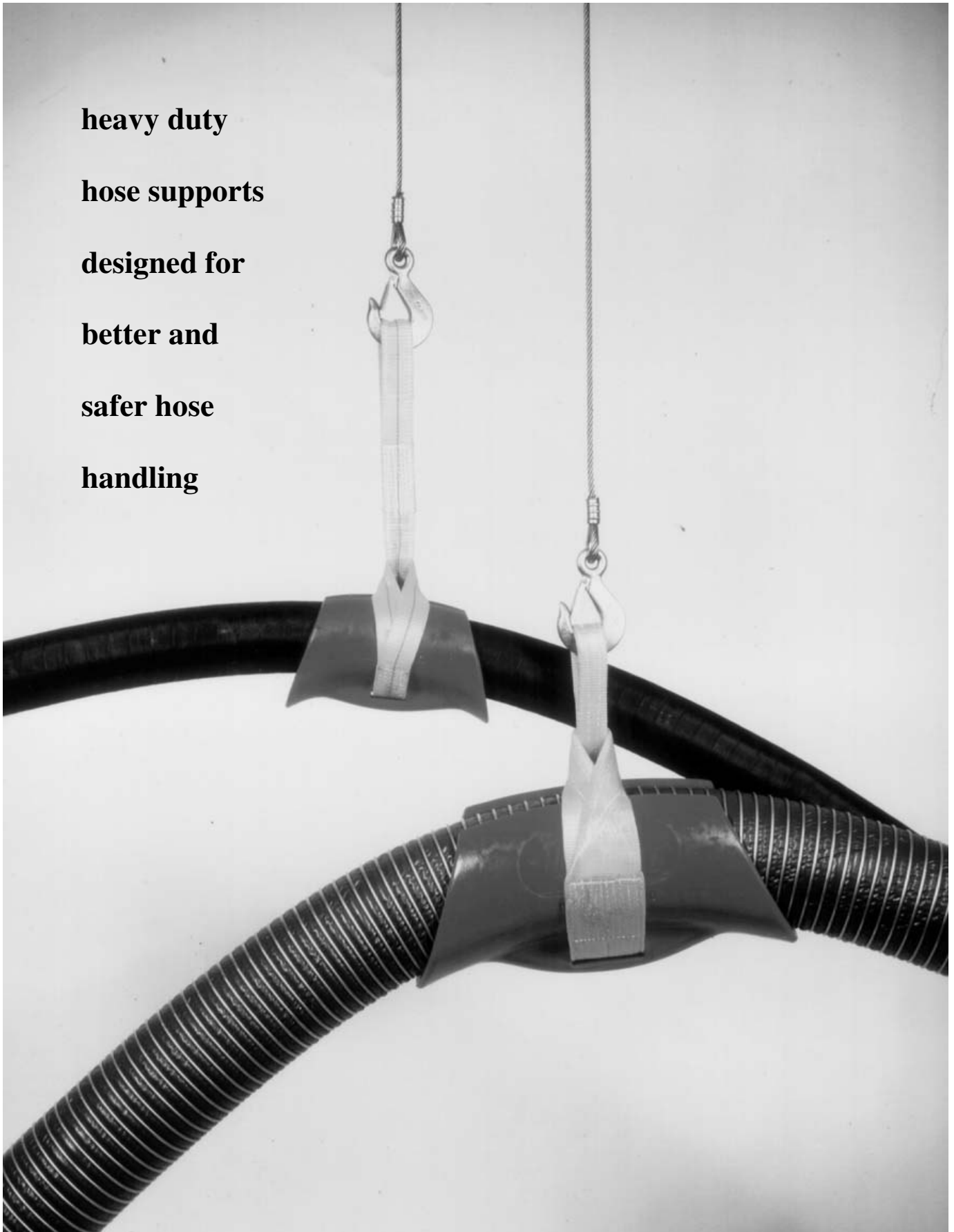


Flex Hose Supports

**heavy duty
hose supports
designed for
better and
safer hose
handling**

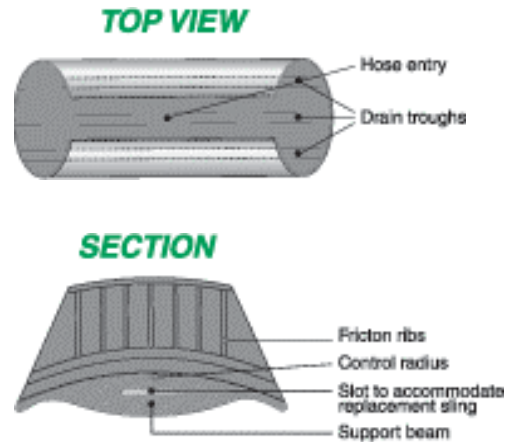


Flex Hose Supports

Product Information

Flex Hose Supports are composed of a red polymer and are used with yellow web slings

Sling rated capacities are established using a 5:1 safety factor



Hose Size Inch	Overall support Length		Weight KG	Overall sling Length		Rated Capacity KG
	Inch	mm		Inch	mm	
1"	24	610	1,14	16	410	363
1.1/4"	24	622	1,40	16	410	363
1.1/2"	26	678	1,60	16	410	363
2"	26	678	1,60	16	410	363
3"	10	252	1,13	30	775	675
4"	11	292	1,70	34	876	675
6"	21	546	6,20	39	990	3600
8"	30	762	13,40	50	1270	5400
10"	41	1040	23,85	62	1575	7650

Applications

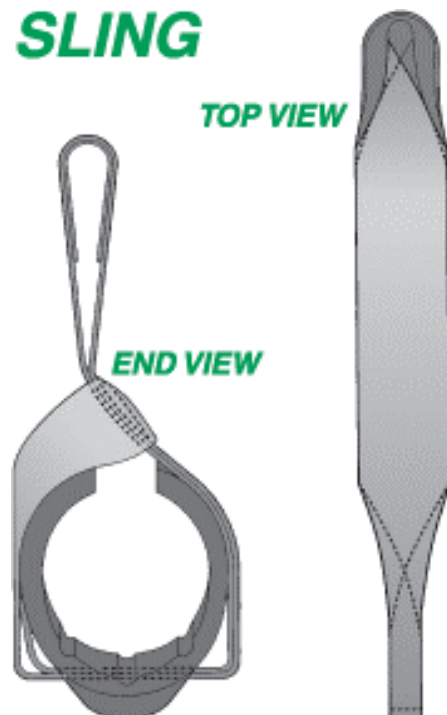
Ship to shore dock loading transfer hoses

High pressure offshore drilling lines

Industrial inplant use

Outdoor constructions sites

Fish suction hose



Dimensions and weights shown are approximate only and are subject to change.